

MODEL DRA-1

DIN Rail Adapter

- Surface to DIN Rail Mount
- Spring-loaded for Quick Attachment



DESCRIPTION

The **DRA-1 DIN Rail Adapter** is designed for quick attachment and detachment of various surface-mount devices onto a standard 35mm DIN rail.

Four #8-32 mounting holes located on the face of the Adapter support numerous models. The Adapter and grip plate are made of 20 gauge steel and assembled as one unit for durability. Constructed with two high tension extension springs the DRA-1 Adapter will securely fasten surface-mount enclosures to a standard 35mm DIN rail.

The mounting hole pattern matches a standard Time Mark surface-mount enclosure.

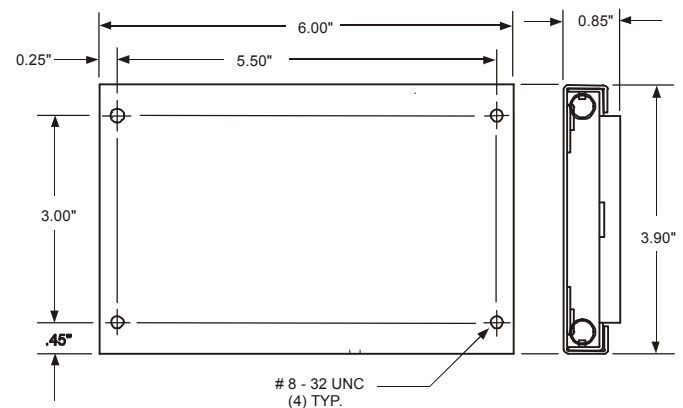
SPECIFICATIONS

MODEL	DRA-1
Material	20 gauge CRS
Color	Gray
Dimensions	6" x 4" x 0.85"
Weight	0.75 lbs.
Mounting	four #8 - 32 mounting holes
Hardware (supplied)	four #8 - 32 x 3/8" screws

USE WITH TIME MARK MODELS:

3-PHASE MONITORS	CURRENT MONITORS
200	272
263	2732
2638	2734
2644	274
265	
269	
	POWER SUPPLIES
	6524
ALTERNATING RELAYS	SPECIAL CONTROLS
271	421
471	
	VOLTAGE MONITORS
PUMP/LIQUID LEVEL	292
422	2962

DIMENSIONS



Telephone: Main - (918) 438-1220
Sales - (800) 862-2875
Fax: (918) 437-7584

E-mail: sales@time-mark.com
Internet: http://www.time-mark.com



11440 East Pine Street
Tulsa, Oklahoma 74116

Doc No. 87A413 12/00
© 2000 TIME MARK CORPORATION

TIME MARK is a division of  AEMT, Inc.

MODEL DRA-1 DIN Rail Adapter

READ ALL INSTRUCTIONS BEFORE INSTALLING, OPERATING OR SERVICING THIS DEVICE.
KEEP THIS DATA SHEET FOR FUTURE REFERENCE.

GENERAL SAFETY

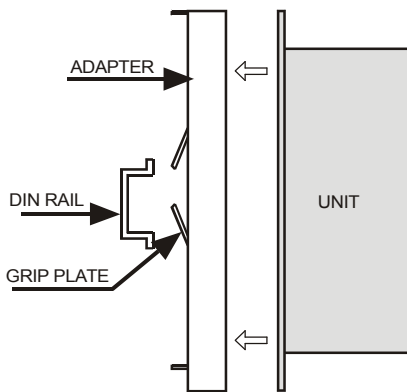
MOUNTED INSTRUMENT WEIGHT SHOULD NOT EXCEED 20 POUNDS.
DIN RAIL END BRACKETS ARE REQUIRED WHEN MOUNTING THE RAIL IN A VERTICAL POSITION.
THIS DEVICE SHOULD BE INSTALLED AND SERVICED BY QUALIFIED PERSONNEL.
PROPER ATTENTION SHOULD BE GIVEN TO ANY MOVING PARTS.

Installation Instructions

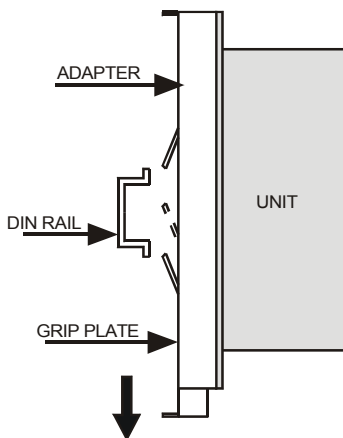
INSTALLATION

Make sure that the mounting holes, on the unit you will be attaching, will match up correctly to the holes on the adapter plate.

Using the four # 8-32 screws supplied, mount the unit to the DRA-1 adapter plate.

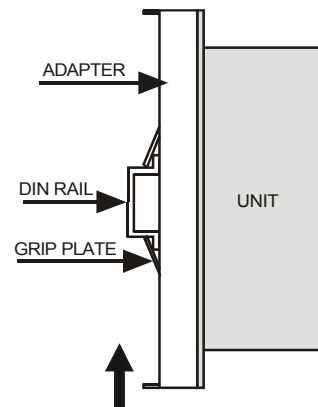


Note: for a better grip of the unit to the adapter plate, Locktite (Blue Dot) is recommended.



Once the unit is attached to the Adapter, place them both in position next to the 35mm DIN rail. Pull down on the movable part of the grip plate, and position the Adapter (with mounted unit) onto the DIN rail.

When the unit is in the desired position, simply release the spring loaded grip plate. The top jaw of the grip plate should be holding the top part of the DIN rail. The movable bottom part of the grip plate should be holding the bottom lip of the DIN rail.



TROUBLESHOOTING

If the DRA-1 does not seat properly or fit onto a standard 35mm DIN rail, check to see that the DIN rail is not bent or deformed in some way. Also check for obstructions where there are moving parts.

WARRANTY

The Model DRA-1 DIN Rail Adapter is warranted to be free from defects in materials and workmanship for one year. Should this device fail to operate, we will repair or replace it for one year from the date of purchase. For complete warranty details, see the *Terms and Conditions of Sales* page in the front section of the Time Mark catalog.

Telephone: Main - (918) 438-1220
Sales - (800) 862-2875
Fax: (918) 437-7584

E-mail: sales@time-mark.com
Internet: http://www.time-mark.com



11440 East Pine Street
Tulsa, Oklahoma 74116
Doc No. 87A413 12/00
© 2000 TIME MARK CORPORATION

TIME MARK is a division of  AEMT, Inc.