

MODEL 265

3-Phase Monitor

- HVAC or Compressor Applications
- Automatic Reset
- Adjustable Restart Delay
- Fast Trip Response
- UL Recognized; CSA Certified

DESCRIPTION

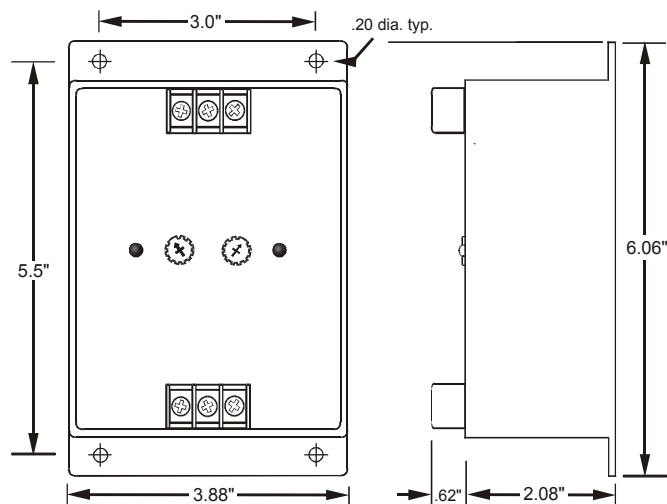
The **Model 265 3-Phase Monitor** continuously monitors 3-phase Wye or Delta systems for phase loss, low voltage and phase reversal. When properly adjusted, the Model 265 Monitor will detect phase loss on a loaded motor even when regenerated voltage is present.

The solid-state sensing circuit drives an internal relay, in a fail-safe configuration, i.e.; the relay is energized when correct voltage and phase rotation are applied.

Operating power for the Model 265 is drawn from the 3-phase lines being monitored. An adjustable timer delays restarting of the load, allowing up to five minutes for compressor head pressures to bleed off, in the event of short-term power failures.

The Model 265 Monitor is not sensitive to line current, and can be used with any size motor or compressor.

DIMENSIONS



SPECIFICATIONS

AUTO Reset	A265	B265	C265	D265	EX265
Nominal AC Voltage (phase to phase)	120 VAC	208/240 VAC	480 VAC	575 VAC	380 VAC
Adjustment Range	85-120V	160-240V	380-480V	450-575V	300-380V
Frequency	60 Hz	60 Hz	60 Hz	60 Hz	50 Hz
Power Consumption	0.25W	0.5W	1.5W	2.5W	1.5W
Transient Protection	2500 VRMS for 10msec				
Repeat Accuracy	± 0.1% of set point (fixed conditions)				
Response Time	50 msec maximum				
Reset Time	Adjustable - 20 to 300 seconds ±10%				
Dead Band	Approximately 2%				
Output Contacts	SPDT 10 amps at 240 VAC resistive				
Expected Relay Life	Mech: 10 million operations Elec: 100,000 operations at rated load				
Operating Temperature	- 40° to +131° F				
Humidity Tolerance	0 - 97% w/o condensation				
Enclosure Material	ABS plastic				
Mounting	Surface				
Weight	10 oz.				
Agency Approvals	UL Recognized and CSA Certified				

Telephone: Main - (918) 438-1220
Sales - (800) 862-2875
Fax: (918) 437-7584

E-mail: sales@time-mark.com
Internet: http://www.time-mark.com



11440 East Pine Street
Tulsa, Oklahoma 74116

Doc No. 87A128 12/00
© 2000 TIME MARK CORPORATION

TIME MARK is a division of  AEMT, Inc.

MODEL 265 3-Phase Monitor

READ ALL INSTRUCTIONS BEFORE INSTALLING, OPERATING OR SERVICING THIS DEVICE.
KEEP THIS DATA SHEET FOR FUTURE REFERENCE.

GENERAL SAFETY

POTENTIALLY HAZARDOUS VOLTAGES ARE PRESENT AT THE TERMINALS OF THE MODEL 265.
ALL ELECTRICAL POWER SHOULD BE REMOVED WHEN CONNECTING OR DISCONNECTING WIRING.
THIS DEVICE SHOULD BE INSTALLED AND SERVICED BY QUALIFIED PERSONNEL.

Installation Instructions

INSTALLATION

Rotate both the VOLTS and MINUTES adjustments counter-clockwise, to their lowest setting. The 3-phase wiring should be connected to the terminals marked **A**, **B** and **C**.

The control wiring will be connected to the opposite end of the unit, to the terminals with the relay contact markings. The markings printed on the Model 265 are the failed condition of the contacts.

When power is applied to the unit, the TRIP LED indicator should not be lit (the reset switch may have to be pressed on manual reset versions). If the TRIP indicator comes on when power is applied, check that all three phases are present and of the correct voltage. If the voltage is correct, remove power, then reverse two of the three phase wires.

Re-apply power. The TRIP indicator should not be on. After a brief delay (approx. 20 seconds) the LED indicator marked NORMAL should come on, and the contacts will transfer.

ADJUSTMENT SETTINGS

Rotate the VOLTS adjustment clockwise, until the contacts trip and the TRIP indicator illuminates.

Slowly rotate the VOLTS adjustment counter-clockwise, until the LED goes out (on manual reset versions, hold the RESET button down while making this adjustment).

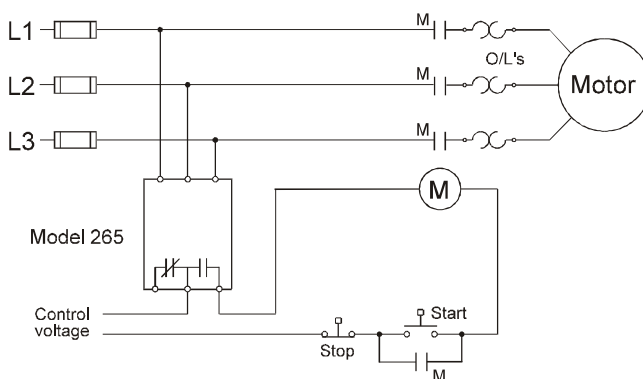
After approximately 20 seconds, the contacts will transfer and the NORMAL indicator will come on. If nuisance trips occur, rotate the VOLTS adjustment slightly farther, counter-clockwise. This method of adjustment will be correct in most cases.

Set the MINUTES delay as required. Application dependent.

TROUBLESHOOTING

Should the Model 265 Monitor fail to operate properly, check that all three voltages are present, and are of the correct voltage level and phase rotation (a Model 108A or 108B Phase Sequence Detector should be used to verify phase rotation). Check all fuses and verify that all wiring connections are correct. If problems persist, contact your local Time Mark Distributor, or the factory for assistance.

TYPICAL APPLICATION



Shows No Power Applied

WARRANTY

The **Model 265 3-Phase Monitor** is covered by Time Mark Corporation's exclusive **5-Year Unconditional Warranty**. Should this device fail, for any reason, within five years from the date of purchase, we will repair or replace it free. Contact the Time Mark Sales department, Monday through Friday; 8 a.m. to 5 p.m., CST, for further details.

Telephone: Main - (918) 438-1220
Sales - (800) 862-2875
Fax: (918) 437-7584

E-mail: sales@time-mark.com
Internet: http://www.time-mark.com



11440 East Pine Street
Tulsa, Oklahoma 74116
Doc No. 87A128 12/00
© 2000 TIME MARK CORPORATION

TIME MARK is a division of  AEMT, Inc.